

GCL-GT

HEAVY-DUTY GEAR HEAD TROLLEY OPERATOR



The GCL-GT is designed for standard lift sectional doors that have up to 60-cycle/hour duty requirement. Advanced features and robust mechanical design combine to provide a heavy-duty operator that sets a new standard for productivity.

UL 325 Listed

- Allows for monitored entrapment protection and momentary operation when used with select photoeyes and/or edge-sensing devices.
- See back for approved list of monitored devices.

GCL-GT Advantages

- MultiVolt® - Order phase-specific operator for the job and have the ability to select the right voltage on the job site.
 - Single Phase: 115/208/230 VAC
 - Three Phase: 208/230/460 VAC
 - 575 VAC voltage models available separately
- Modular design with optional expansion boards for advanced timer to close, edge sensing module and auxiliary output functionality.
- LCD display with intuitive setup menu. Provides real-time status and trouble-shooting assistance.
- Internal receiver with the ability to individually add/delete up to 50 Intellicode® transmitters directly from the LCD display.
- EZ Limit® provides for push to set limits that remain synchronized with door even during long term loss of power.
- Low-profile height of power head maximizes the clearance for vehicular traffic.
- Open/close/stop and setup keys included on control board. Keeps all controls near the LCD display convenient
- Quiet trolley carriage with wear pads for set up.

Standard Features

- EZ Limit® electro-mechanical limits.
- MultiVolt® voltage simplification.
- Max run timer automatically adjusts to up and down run time.
- Heavy-duty worm gearbox for primary reduction.
- Delay on reverse.
- 16-character LCD display.
- UL 325 Listed.
- Advanced radio receiver displays and stores activation by transmitter ID number on the LCD screen.
- 3-button control station.
- 2-year/20,000-cycle warranty.
- Programmable mid-stop.
- Drawbar disconnect for emergency manual operation.
- DC disc brake with progressive braking.
- On-board timed close



For more information on patents related to this product, visit www.geniecompany.com/patents.

GCL-GT | HEAVY-DUTY GEAR HEAD TROLLEY OPERATOR

MAX DOOR SIZE (SQ*FT) - SECTIONAL

Door Series		Commercial Steel Insulated & Non-Insulated								Thermospan®				ThermoMark™		Aluminum	
		216	216 Ins.	220	220 Ins.	2415	2415 Ins.	2411	2411 Ins.	125	150	200	200-20	5150	5200	451	452
		Flush		Ribbed						Insulated				Insulated			
Model	Max Door Wt. (lbs)	16GA.	16GA. Ins.	20GA. Steel	20GA. Ins.	24GA.	24GA. Ins.	Nominal 24GA.	Nominal 24GA. Ins.	PU-FIP	PU-FIP 1.38"	PU-FIP 2"	PU-FIP 2" 20GA. Ext.	PU-FIP Raised Panel 1.38"	PU-FIP Raised Panel 2"	1/8" Glass 1.38"	1/4" or 1/2" Glass 1.38"
1/2 HP	1310	300	256	410	280	520	400	320	320	256	430	430	350	450	430	400	320
1/2 HP HD	1638	375	320	513	350	650	500	400	400	320	538	538	438	563	538	500	400
3/4 HP	1450	340	256	450	320	540	410	320	320	256	450	450	400	480	460	400	350
1 HP	1650	390	290	510	380	580	410	320	320	256	480	480	420	510	490	400	400
1 HP HD	2063	488	363	638	475	725	513	400	400	320	600	600	525	638	613	500	500

- Notes: 1. Maximum door weight, and not the square footage, is the critical factor in selecting the proper operator.
 2. Max Door Height 24'
 3. For "Commercial Steel Insulated" category, various "backer" options are available. The chart above is based in all cases on the thickest backer available.
 4. "PU-FIP" stands for "polyurethane, foamed-in-place". If no notation is present, insulation is "polystyrene laid-in-place".
 5. Door speed is 11.5 in/sec except for 1/2 HP HD and 1 HP HD models with gearbox reduction for 7.2 in/sec door speed.

Construction

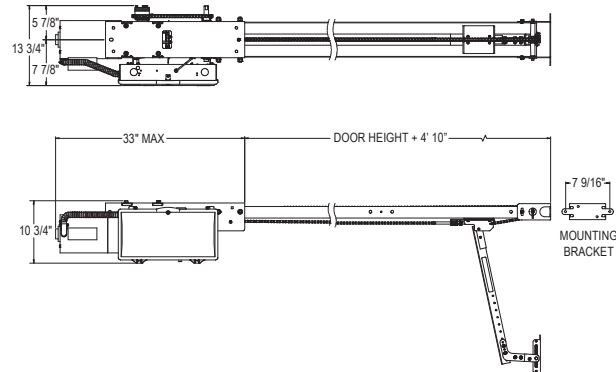
- Motor**
AC continuous-duty motor. Motor replaceable without changing limits. Thermally protected.
- Drive**
Primary — Heavy-duty worm gear running in oil bath.
All-weather synthetic lube for low/high temp operation.
Secondary — Heavy-duty chain and sprocket reduction.
- Brake**
24 VDC disc brake standard.
- Friction Clutch**
Adjustable clutch to help protect against door and operator damage.
- Precision Radial Ball Bearings**
Used exclusively throughout the operator powertrain.
- Rail Assembly**
2" heavy-gauge roll-formed angle with nylon chain guides.
- Emergency Disconnect**
Drawbar disconnect via pull cord for manual operation of door.
- Pre-wired to accept:**
 - Monitored entrapment device such as photoeyes.
 - Single or 3-button control stations.
 - External interlock switches.

Accessories and Options

- Timer Close Module**
This optional module plugs directly into the control board expansion port providing the operator with an automatic door closing feature with a user selectable time delay, adjustable from one second to five minutes (in increments of one second) using the LCD display. The module also includes pre-close warning output contacts, timer hold input, auxiliary open input, normally closed safety input, and T3 monitored edge input.
- Auxiliary Output Module**
Provides relay contacts at the open, close, and mid-stop limits. Contacts for 5-minute lamp, and "ADA" contacts set via LCD display to warn during opening, closing or both.
- Edge Sensing Module**
Input allows connection of a T3 monitored safety edge. When advanced timer close features are required, use the Timer Close Module.
- Intellicode® Transmitters**
Available in single up to four button, or open/close/stop models.
- Environmental Modifications**
Totally enclosed non-ventilated, or fan-cooled motors available - Must be ordered from the factory. NEMA 4 or NEMA 4X environmental modifications - Must be ordered from the factory.
- UL325 Approved Reversing Devices**
The installation of a monitored external entrapment device is required for momentary contact close operation on all commercial door operators. Only the following devices, when purchased through Genie, are UL-Approved for use to meet this requirement:
 - Safe-T-Beam® Photoeye Kit with adjustable bracket P/N 38176R.S¹
 - Impact-protected Commercial Photoeye Kit P/N OPAKPE2.S
 - MillerEdge ME/MT/CPT (DC or T3) 2-wire edge sensor. Must be used with TCM (OPABTCGX.S), ESM (OPABEIX.S), or Interface Module (OPAKMEIGX.S).
 - NEMA 4X Photoeyes P/N OPAKPEN4GX.S
 - Light Curtain 3 ft. length P/N OPAKMLC3.S, or 6 ft. length P/N OPAKMLC6.S

¹ — Default device when operator is ordered.

HP	AMPERAGE RATING - 60Hz						
	115V 10	208V 10	230V 10	208V 30	230V 30	460V 30	575V 30
1/2	10	5	5	3	3	3	2
3/4	11	6	6	3	4	3	2
1	14	7	7	4	4	3	2



COMMERCIAL LINE

The Genie Company, One Door Drive, Mt. Hope, Ohio 44660

www.geniecompany.com/commercial | 1.800.843.4084

Item G001.0071 (Rev. 03/22) 275 03/22 JAR

YOUR GENIE PROFESSIONAL DEALER: